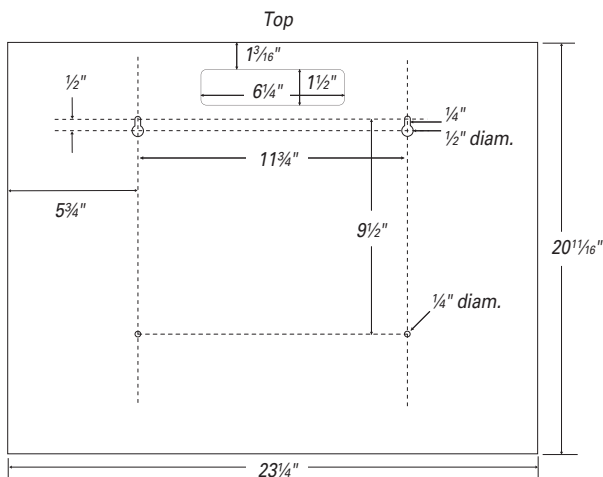


Primary Areas For Placement

- Ideal for use in isolation or procedure rooms, patient care or exam areas, or anywhere staff PPE is required



Consumables
not included



Mounting Specifications

Packaging Includes

- PPE Organizer (no assembly required)

Product Specifications

- 23³/₄"W x 20¹/₁₆"H x 4⁵/₈"D (59 cm x 52.6 cm x 11.7 cm)
- Weight: 15.5 lbs. (7 kg)
- Made of 1-mm thick cold-rolled steel
- Keyholes for wall mounting (hardware not included)
- Top rear cutout for use with AliMed Door Hanger (not included, sold separately)
- Beige

Capacity

- Holds one box of flat-packed or folded/laundered gowns, one box of earloop-style face masks, one box of shield-style face masks, and two boxes of gloves
- **Top/Center Left**— Flat-packed or folded gowns up to: 14³/₄"W x 14"H x 4³/₈"D (37.5 cm x 35.6 cm x 11.1 cm)
- **Top Right**— Standard size earloop-style face mask box(es) up to: 8"W x 5¹/₂"H x 4³/₈"D (20.3 cm x 14 cm x 11.1 cm)
- **Center Right**— Standard size shield-style face mask box(es) up to: 8"W x 9¹/₂"H x 4³/₈"D (20.3 cm x 24.1 cm x 11.1 cm)
- **Bottom**— Standard size glove box(es) up to: 11¹/₂"W x 5¹/₂"H x 4³/₈"D (29.2 cm x 14 cm x 11.1 cm)

*Unit may accommodate other PPE boxes of the same size

Packaging Specifications

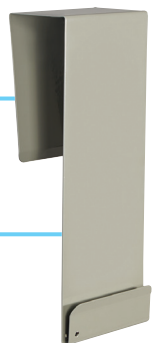
- Quantity: 1 per box
- Box size: 24³/₄"W x 22¹/₂"H x 6³/₄"D (63 cm x 57 cm x 17 cm)

Care and Cleaning Instructions

- Clean with a non-abrasive cloth using a diluted solution of mild, non-abrasive detergent or standard hospital disinfectants.
- Dry with a soft, non-abrasive cloth.

Optional Door Mount Accessory

- #960824 AliMed® Door Hanger (not included, sold separately)

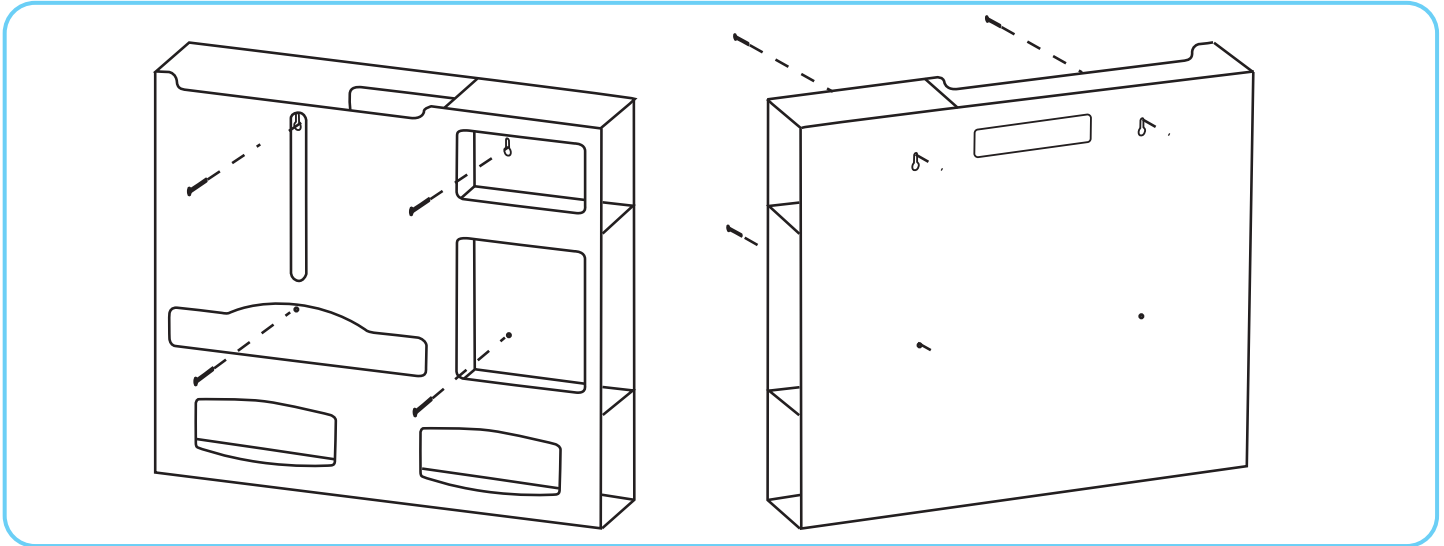


See p. 2 for mounting instructions

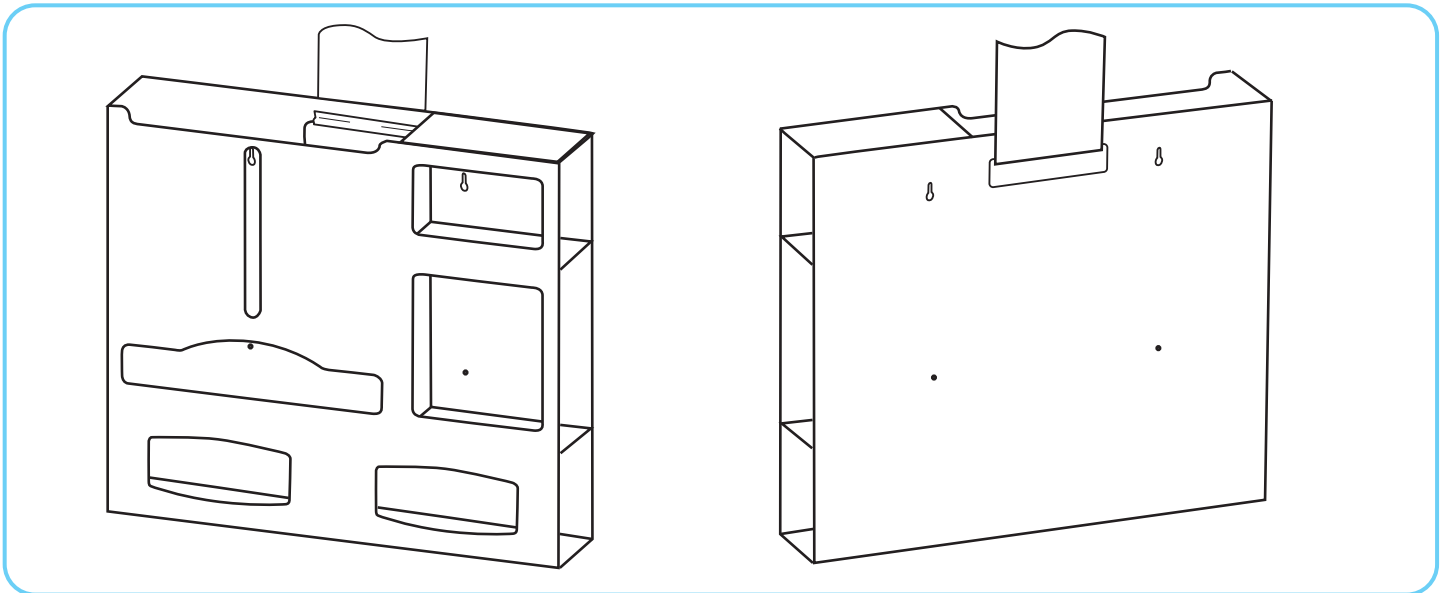
#960827 PPE Organizer

Mounting Instructions

Always securely assemble and mount dispensers prior to adding consumables.



- 1. Wall Mount:** Securely mount unit to a wall via keyholes and screw holes in back with screws approved and supplied by building maintenance. All four mounting holes provided must be used.



- 2. Door Mount:** Securely hang unit over a door using #960824 AliMed Door Hanger (not included, sold separately). Follow hanging instructions on data sheet packaged with door hanger unit.

Visit [AliMed.com/ic](https://www.ali-med.com/ic) for our full line of PPE Organizers

Unit is intended for dispensing PPE product only. Other products are not recommended.
Content provided is subject to change. Drawing dimensions are approximate.

Pub. #7862 Product #11571
©2020 AliMed® Inc. All rights reserved.